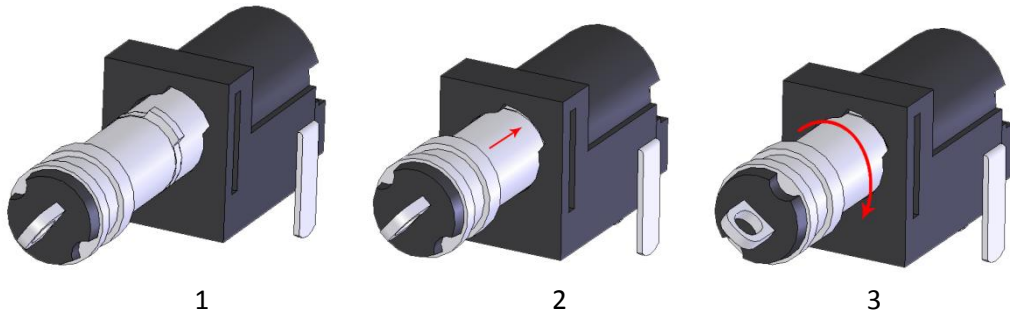


Locking DC Power Connector Instructions

To Lock:

1. Align side metal tabs on plug with opening in jack. Make sure tabs are completely aligned before proceeding with the next step.
2. Push plug in to make connection.
3. Twist plug clockwise until it stops.



To Unlock:

1. Twist plug counterclockwise until it stops.
2. Pull plug out.

